

## Sink KE Filotop

Kitchen Sinks

Code: 2269 050



### DETAILS

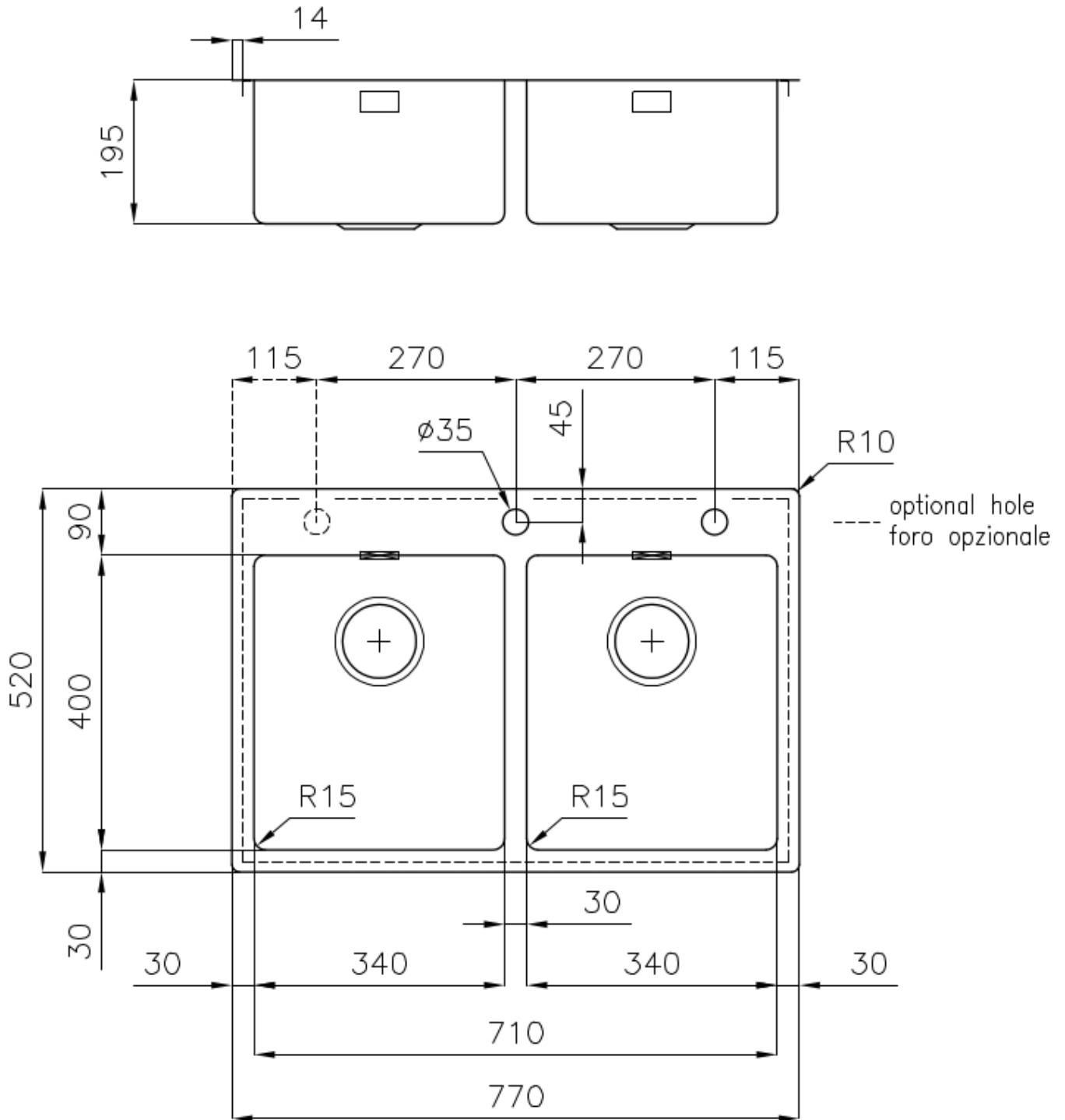
|                        |   |
|------------------------|---|
| Edge/Installation Type | Flush-mount   Top-mount   |
| Finish                 | Foster brushed  |
| Material               | AISI 304 stainless steel  |
| Texture                | Foster brushed  |
| Base                   | 80 cm   |
| Dimensions             | 770x520 mm  |
| Standard fittings      | Fixing hooks, gasket, drain, overflow and siphon, boxed packing |
| Mixer holes            | 2 standard holes - 3rd hole on request                          |
| Built-in hole          | View technical data sheet                                       |

|                 |                                 |
|-----------------|---------------------------------|
| Drainer         | No                              |
| Width           | 77 cm                           |
| Bowl dimension  | 340x400mm                       |
| Number of bowls | 2 bowls                         |
| Waste fitting   | Drain with automatic PM control |

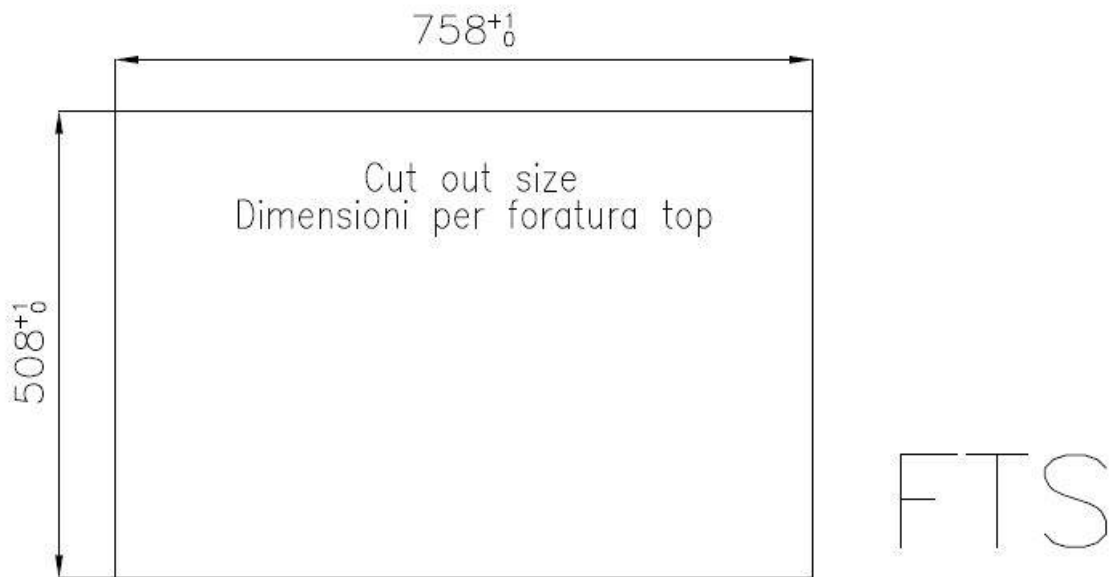
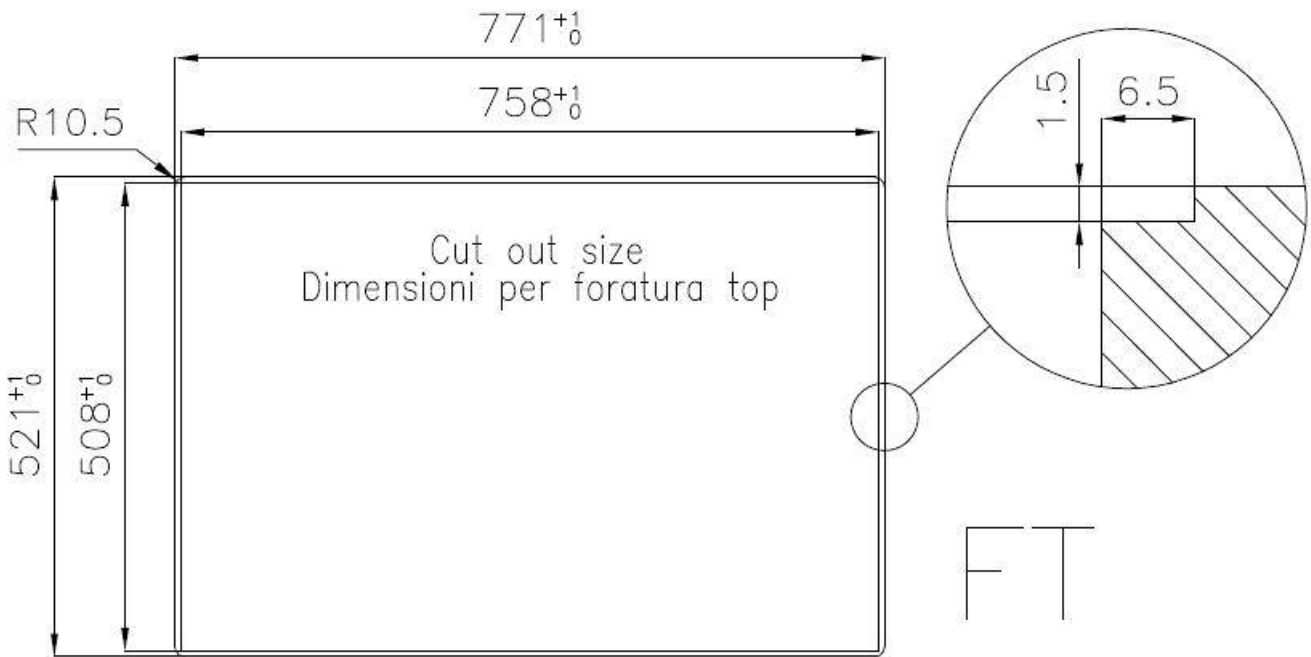
## FEATURES

|                           |   |
|---------------------------|---|
| Double mixer hole         | The large tap counter is already fitted with a series of 2 tap holes. In the second hole it is possible to install the remote control of the automatic drain or, alternatively, a practical soap dispenser. |
| High thickness            | 1mm thick steel. A significant thickness, which guarantees the maximum sturdiness and durability.   |
| Automatic waste fitting   | The waste-fitting with round remote knob is supplied; a practical accessory which makes it unnecessary to get wet in order to drain the water from the bowl.  |
| Basket 3,5" waste fitting | The drain is equipped with a large 3.5" drain, with the practical basket cap that prevents the discharge of solid parts.  |
| Perimetral overflow       | The overflow is always a security on the Foster sinks that prevents the overflow of water in case of oversights. The perimeter drain solution improves aesthetics thanks to its square and essential shape. |
| Small radius              | Bowls with squared shapes with a modern design and an increased capacity, for a minimal aesthetics connected with an extreme practicality.  |
| Deep bowls                | This bowls reach an important depth, over 20 cm, thanks to the advanced production technology, that can be offer great capieny and practicality in all the washing operations.                              |

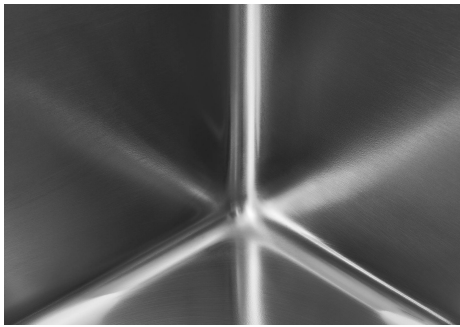
## TECHNICAL DATA



## Lavello serie KE cod. 2269/050



## GALLERY



## EQUIPMENT



**Automatic waste fitting**  
8407 113

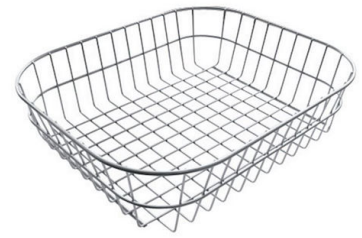
## OPTIONAL ACCESSORIES



**HPDE Chopping board**  
8657 001



**HPDE Twin chopping board**  
8644 101

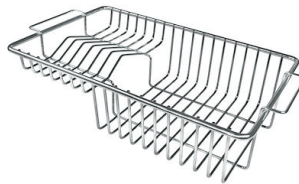


**Stainless steel basket**  
8611 000



**Stainless steel plate rack**  
8100 303

\* only in combination with the accessory  
8644 101



**Stainless steel plate rack**  
8100 201



**White bowl**  
8153 100



**Graters kit with ring-holder and  
food collection tray**

8159 101

\* only in combination with the accessory  
8644 101



**Stainless steel perforated tray**

8151 000

\* only in combination with the accessory  
8644 101

## RECOMMENDED PAIRINGS



**Mixer Tap Bert**  
8428 100



**Mixer Tap KE**  
8492 000